

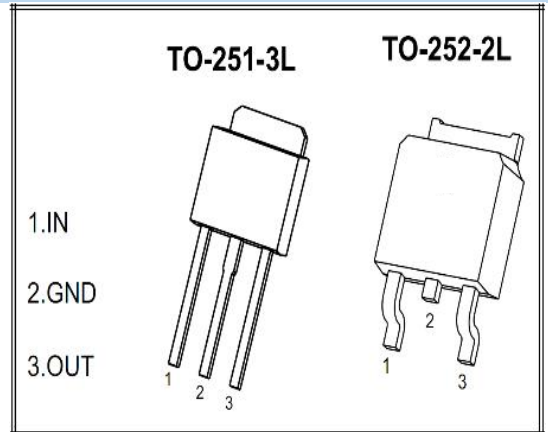
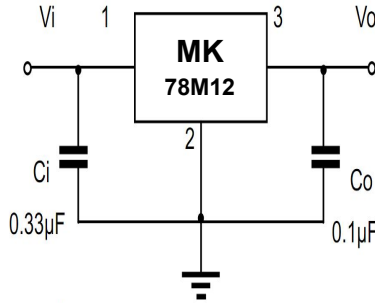


MK78M12

FEA E :
 * I M: 1A
 * : 12
 * C D: 1.25

MA KI G:
 MK 78M12 MKD / ****
 (D 252)/(251) **** D

ICAL A LICA I :



G M - G (- - - G GG - G G

			35	
+	F	A	80	°C/
	+	+	-25 +125	°C
	+	+ +G	-55 +150	°C

E - C - -G GA - J - -
 (=19 , I =350 A, C =0.33 F, C =0.1 F. GG - G)

			25°C	11.5	12	12.5	
		14.5 27 , =5 A-350 A	-25 +125	11.4	12	12.6	
		=5 A-0.5A, =19	25°C		25	240	
		=5 A-200 A, =19	25°C		10	120	
		14.5 30 , =200 A	25°C		10	100	
		16 30 , =200 A	25°C		3	50	
	C		25°C		4.6	6	A
	C	14.5 30 , =200 A	-25 +125			0.8	A
	C	5 A 350 A	-25 +125			0.5	A
		10H 100 H	25°C		75	200	/
		15 25 , =120H , =300 A	-25 +125	55	80		B
	D	=350 A	25°C		2	2.5	
	C C	=19	25°C		240		A
	C		25°C		0.7		A

B C F C +



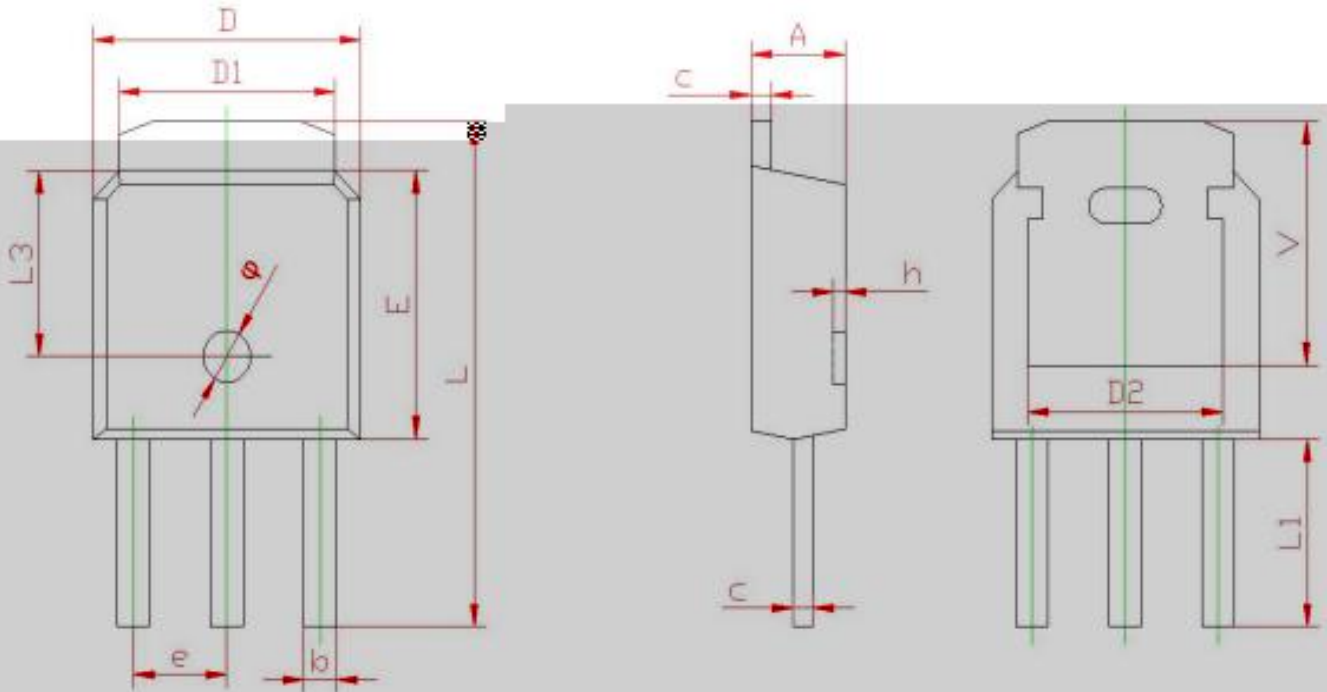
D G G





D G G

TO-251 PACKAGE OUTLINE DIMENSIONS



Symbol	Dimensions In Millimeters		Dimensions In Inches	
	Min.	Max.	Min.	Max.
A	2.200	2.400	0.087	0.094
A1	0.000	0.127	0.000	0.005
b	0.660	0.860	0.026	0.034
c	0.460	0.580	0.018	0.023
D	6.500	6.700	0.256	0.264

D1	5.100	5.460	0.201	0.215
D2	4.800 REF		0.189 REF	
F	6.000	6.200	0.236	0.244

e	2.186	2.386	0.086	0.094
L	9.800	10.400	0.386	0.409
L1	4.300 REF		0.170 REF	
L3	4.00 REF		0.16 REF	
L4	0.600	1.000	0.024	0.039
h	0.000	0.300	0.000	0.012
V	5.500 REF		0.217 REF	