

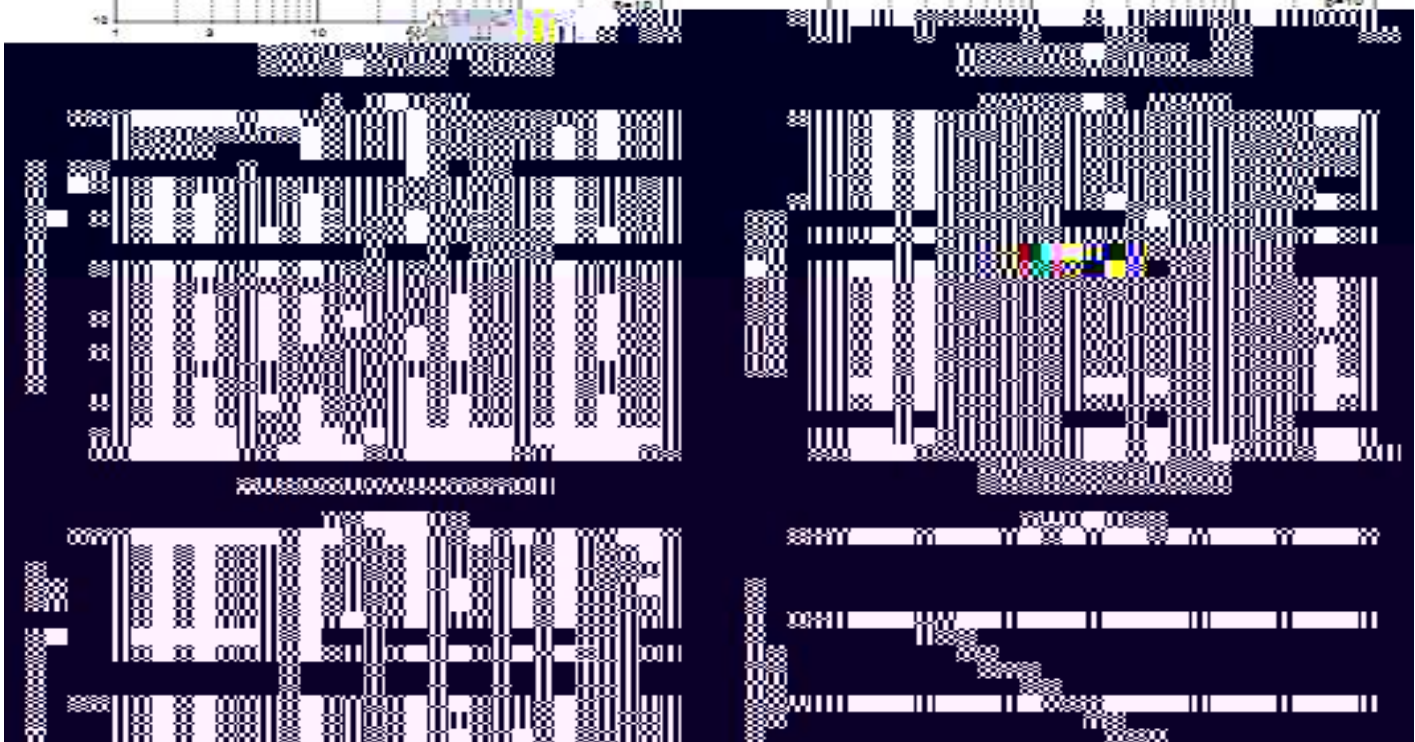
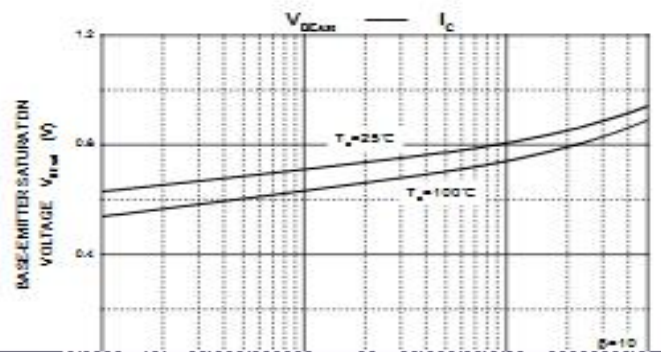
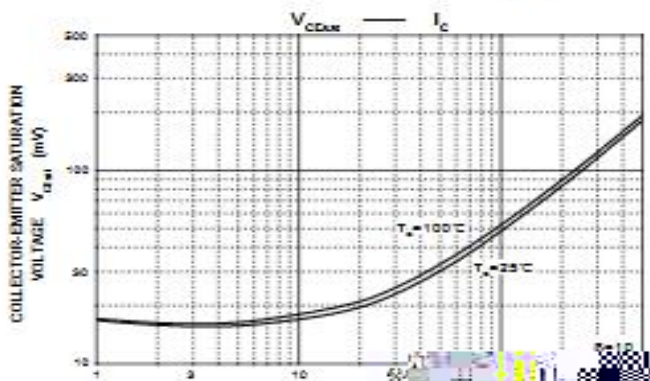
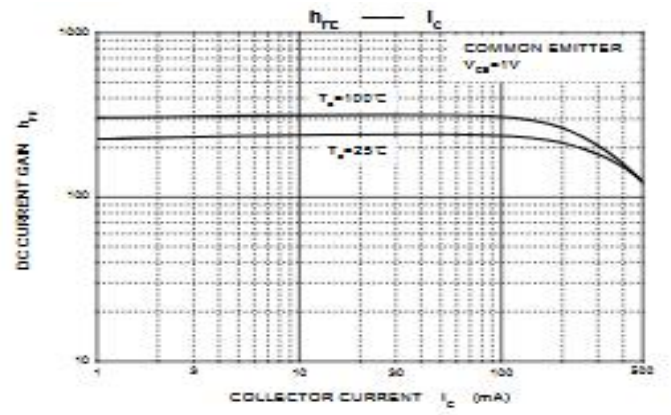
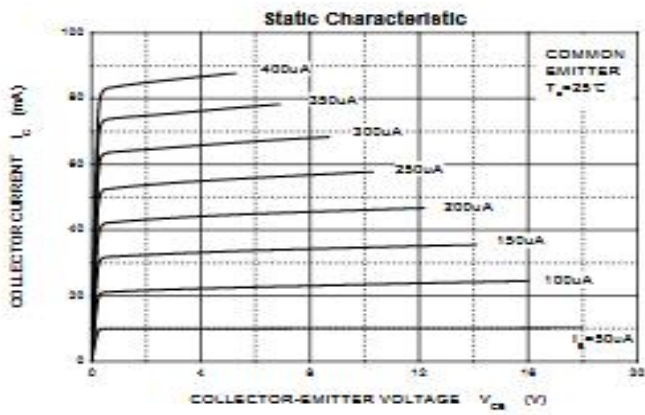
C a S8550  
 C C : I = 0.5A

C	-Ba	V	a	VCBO	40	V						
C	-E	V	a	VCEO	25	V						
E	-Ba	V	a	VEBO	5	V						
C	C			IC	500	A						
C	P	D	a	PC	300	W						
T	a	R	a	F	J	T	A	b	R	JA	417	/W
J	T	a			T	150	°C					
S	a	T	a		T	-55 +150	°C					



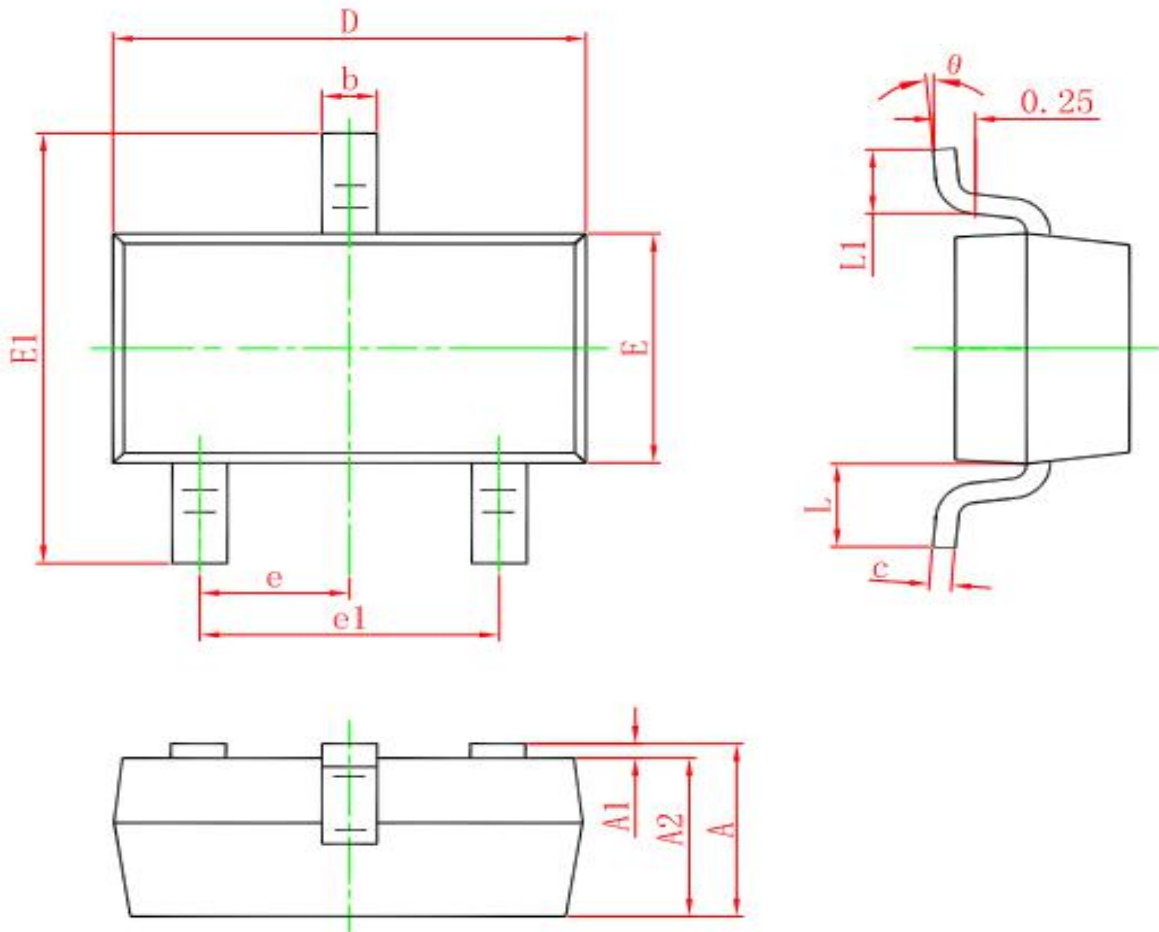
°C

C	-ba	b	a	a	V(BR)CBO	IC= 100 A, IE=0	40			V
C	-	b	a	a	V(BR)CEO	IC= 1 A, IB=0	25			V
E	-ba	b	a	a	V(BR)EBO	IE= 100 A, IC=0	5			V
C	-				ICBO	VCB= 40 V , IE=0			0.1	A
C	-				ICEO	VCB= 25V , IE=0			0.1	A
E	-				IEBO	VEB= 5V , IC=0			0.1	A
DC	a				FE	VCE=1V, IC= 50 A	120		400	
					FE	VCE=1V, IC= 500 A	50			
C	-	a	a	a	VCE( a )	IC=500 A, IB= 50 A			0.6	V
Ba	-	a	a	a	VBE( a )	IC=500 A, IB= 50 A			1.2	V
T	a				T	VCE=6V, IC= 20 A =30MH	150			MH



### SOT-23 PACKAGE OUTLINE DIMENSIONS



Symbol	Dimensions In Millimeters		Dimensions In Inches	
	Min.	Max.	Min.	Max.
A	0.900	1.150	0.035	0.045
A1	0.000	0.100	0.000	0.004
A2	0.900	1.050	0.035	0.041
b	0.300	0.500	0.012	0.020
c	0.080	0.150	0.003	0.006
D	2.800	3.000	0.110	0.118
E	1.200	1.400	0.047	0.055
E1	2.250	2.550	0.089	0.100
e	0.950 TYP.		0.037 TYP.	
e1	1.800	2.000	0.071	0.079
L	0.550 REF.		0.022 REF.	
L1	0.300	0.500	0.012	0.020
θ	0°	8°	0°	8°